

Ref. : FRL1720

Rev. : Initial

Date : 26/05/2015

Page : 1/1

FILTER REGULATOR

FRL1720



APPLICATION

Treatment of compressed air, compressed gas.

GENERAL CHARACTERISTICS

Range from 1/4" to 1".
 Strong aluminium body.
 With gauge indicated the downstream pressure.
 Plastic bowl with semi automatic drain.
 Installation in horizontal position following the direction indicated on the body.

CONSTRUCTION

9	Semi-automatic drain	POM
8	Filtrering bowl	PC
7	Filtrering element	PE
6	Filter support	Nylon
5	Body	Aluminium alloy
4	Piston	Brass
3	Spring	Alloy steel
2	Setting screw	Alloy steel
1	Handwheel	Nylon
Pos.	Description	Material

DIMENSIONS

DN		A	B	C	H	H1	H2	Weight (kg)
mm	inch							
8	1/4"	64	117	40	247	92	45	0,9
10	3/8"							
15	1/2"							
20	3/4"	110	120,5	90	270	86	27,5	1,4
25	1"							

WORKING CONDITIONS

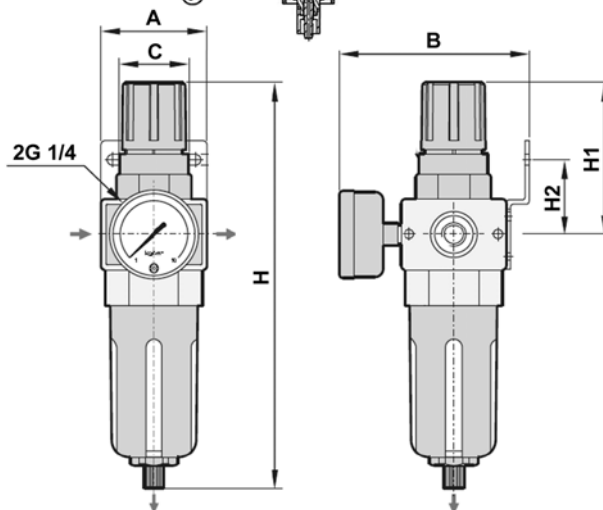
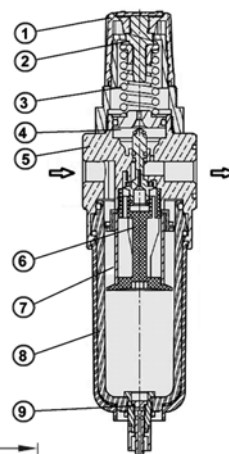
Working pressure: 0.5 -10 bar (1/4" - 1/2")
 0.5 - 12 bar (3/4" - 1")

Test pressure: 15 bar
 Regulator accuracy: 0.2 bar

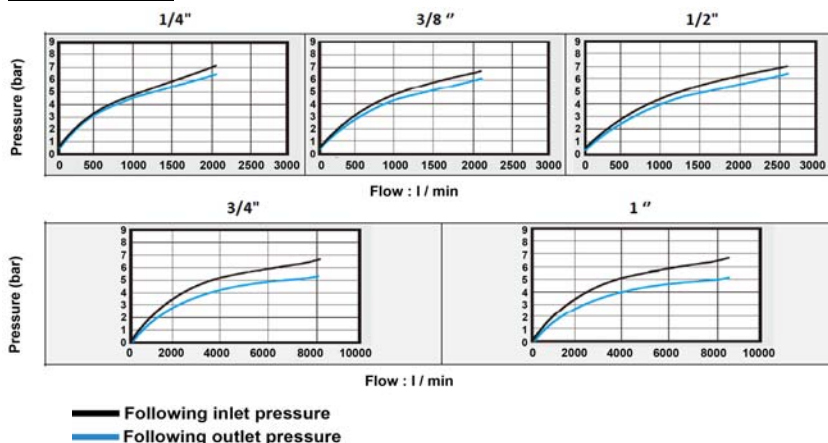
Working temperature: 0°C / +50 °C
 Ambient temperature : -10°C / +60°C

STANDARDS

Fabrication according to ISO 9001
 Threaded gaz connection according to ISO 228-1.



FLOW RATE



TECOFI France - 83, Rue Marcel Mérieux 69960 Corbas - FRANCE
 Tél. +33 (0) 4 72 79 05 79 - Fax +33 (0) 4 78 90 19 19 / +33 (0) 4 72 79 05 70
 Adresses e-mail : sales@tecofi.fr ; tecofi@tecofi.fr / Site web : www.tecofi.fr