

Ref. : ED341N03.pas

Rev. : A

Date : 23/05/2012

Page : 1/1

DIRECT ACTING SOLENOID VALVE 5/2

ED 341-N03



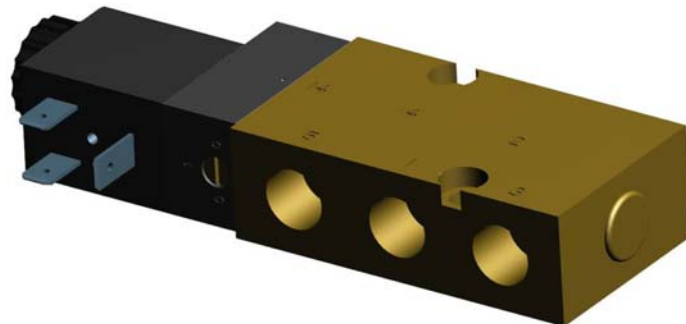
Tecofi 
VALVE DESIGNER - FRANCE

APPLICATION

General use : operating control on namur interface for single or double acting pneumatic actuator.

GENERAL CHARACTERISTICS

Solenoid operated spool valve with combined spring and air return & external air pressure operated versions.
 Differential pressure : from 2.5 bar to 10 bar.
 For direct mounting on Namur interface 1/4".
 Tightness: NBR.
 Functional diameter: 7 mm.
 Flow: 1250 l/min.
 With miniature coil (22 mm in standard) encapsulated in synthetic material, connected by plug DIN 43650 type B 3-pin.
 Voltage : 24VAC - 110VAC - 230VAC / 50 Hz);
 12VDC - 24VDC - 48VDC.
 Weatherproof: IP65.



CONSTRUCTION

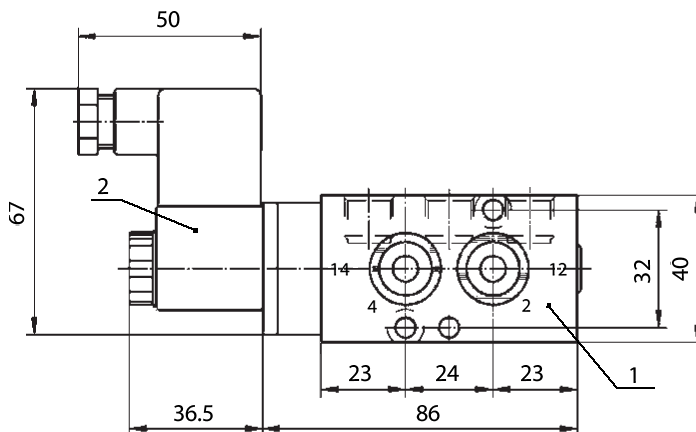
2	1	Coil	Synthetic material
1	1	Body	Aluminium
Pos.	Q-ty	Description	Material

WORKING CONDITIONS

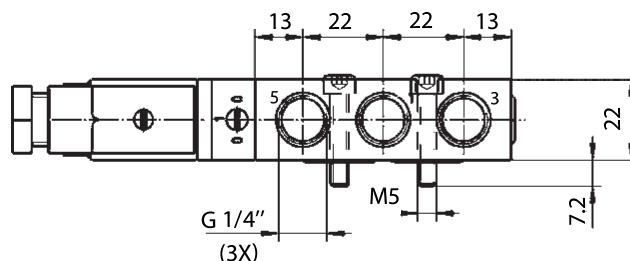
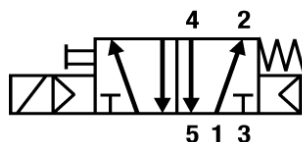
Maximum working pressure : 10 bar.
 Fluid temperature : 0°C to + 50°C.
 Ambient temperature : -10°C to + 50°C.

STANDARDS

Mounting interface complies with NAMUR and recommendations to VDI / VDE 3845.



Pneumatic diagram



The photographs and technical art works are not contractual. The specifications of the presented products are open to modifications without previous advice.